

Description

The model 1026 is a single phase, zero-cross, solid state contactor replacement. The model 1026 responds to an AC command signal of 120 or 240 Volts.

The command signal is electrically isolated from the line and load voltage.

The 1026 circuit provides the proper loading to triacs and other solid state switching devices to insure correct turn-on of the switching device and to insure that the leakage current from these devices when in the off state does not cause false operation of the SCR.

Applications & Features

- **Transient Free Switching**
- **Solid State Contactor Replacement**
- **On/Off Control**
- **120 or 240 Vac Control Signal**

Dimensions

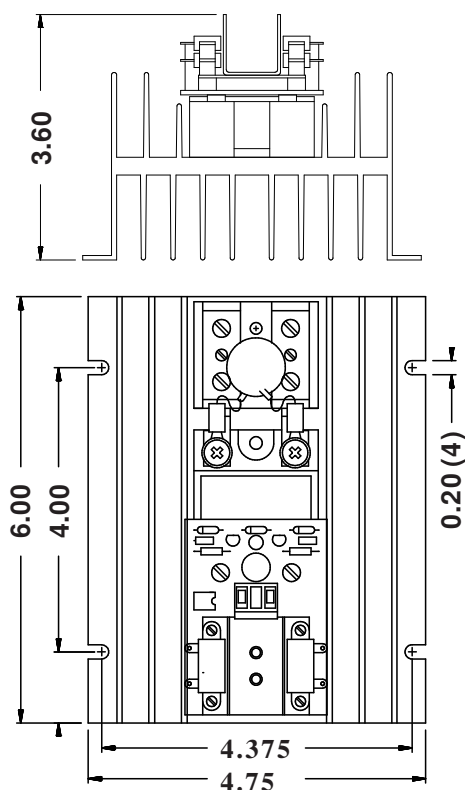


Figure 1. 10 - 40 Amp controller.

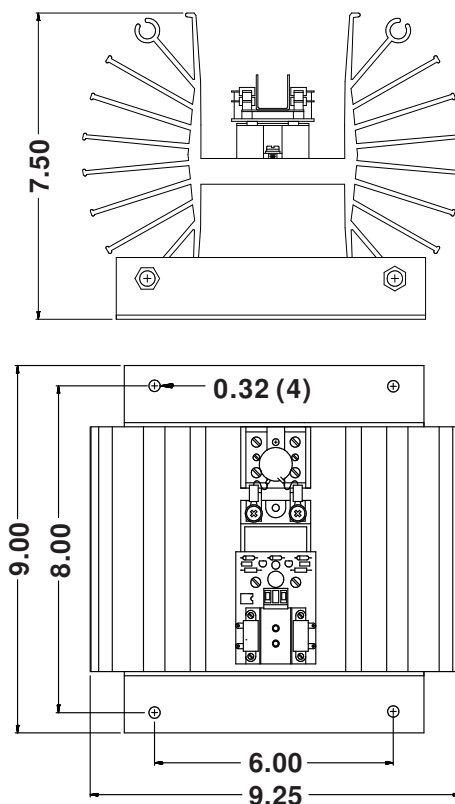


Figure 2. 70 Amp controller.

Ordering Information

1026-(xx-xx)-(xxx)

1026 Single Phase, Zero-Cross with 120 or 240 VAC command

(xx-xx) = Line Voltage and Load Current

12-10 = 120 Volt line, 10 Amp load

12-20 = 120 Volt line, 20 Amp load

12-30 = 120 Volt line, 30 Amp load

12-40 = 120 Volt line, 40 Amp load

12-70 = 120 Volt line, 70 Amp load

24-10 = 240 Volt line, 10 Amp load

24-20 = 240 Volt line, 20 Amp load

24-30 = 240 Volt line, 30 Amp load

24-40 = 240 Volt line, 40 Amp load

24-70 = 240 Volt line, 70 Amp load

48-10 = 480 Volt line, 10 Amp load

48-20 = 480 Volt line, 20 Amp load

48-30 = 480 Volt line, 30 Amp load

48-40 = 480 Volt line, 40 Amp load

48-70 = 480 Volt line, 70 Amp load

57-10 = 575 Volt line, 10 Amp load

57-20 = 575 Volt line, 20 Amp load

57-30 = 575 Volt line, 30 Amp load

57-40 = 575 Volt line, 40 Amp load

57-70 = 575 Volt line, 70 Amp load

(xxx) = Command Signal

120 = 120 Volt AC command line

240 = 240 Volt AC command line

About Control Concepts

Control Concepts, Inc., offers a wide variety of power controllers designed for your toughest process control applications.

Single and Three Phase controllers are available with current ratings from 10 to 1000 amps.

In addition, Control Concepts, Inc. offers custom SCR power controllers to meet your unique requirements.

Control Concepts, Inc. has the expertise and the products to meet your specific industrial control needs. Call us today for answers that work. **(800)-765-2799**

Manufactured by



800.765.2799 | www.ccipower.com

Phone: 952.474.6200 Fax: 952.474.6070

7870 Park Drive, Chanhassen, MN 55317, U.S.A.