



# 2022

## Single-Phase, Phase-Angle Power Controller

### Description

The model 2022 is a single-phase, phase-angle SCR power controller with two remotely selectable inputs.

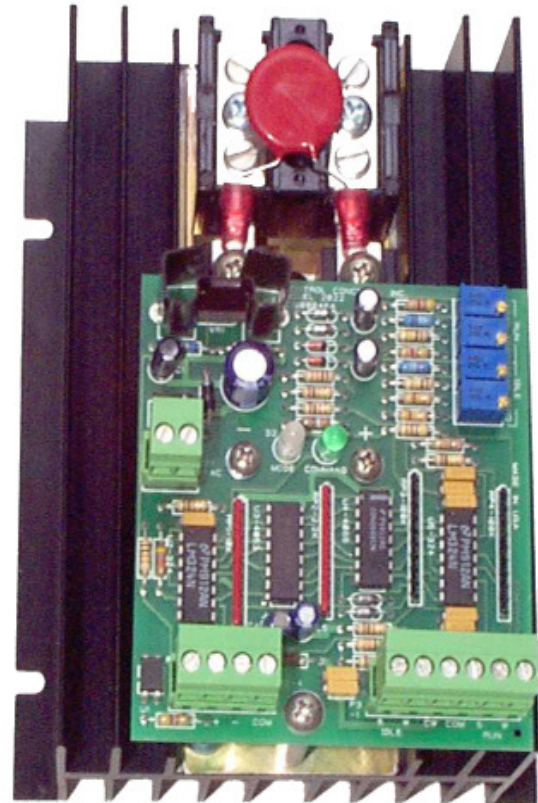
The model 2022 accepts command signals of 0-5Vdc, 0-10Vdc or a potentiometer.

The model 2022 can be made to accept a 4/20mA current loop command with the addition of a resistor (R27 or R28) to the circuit. Contact factory for details.

The model 2022 controls the RMS voltage to the load proportional to the command signal, independent of line voltage changes.

### Features

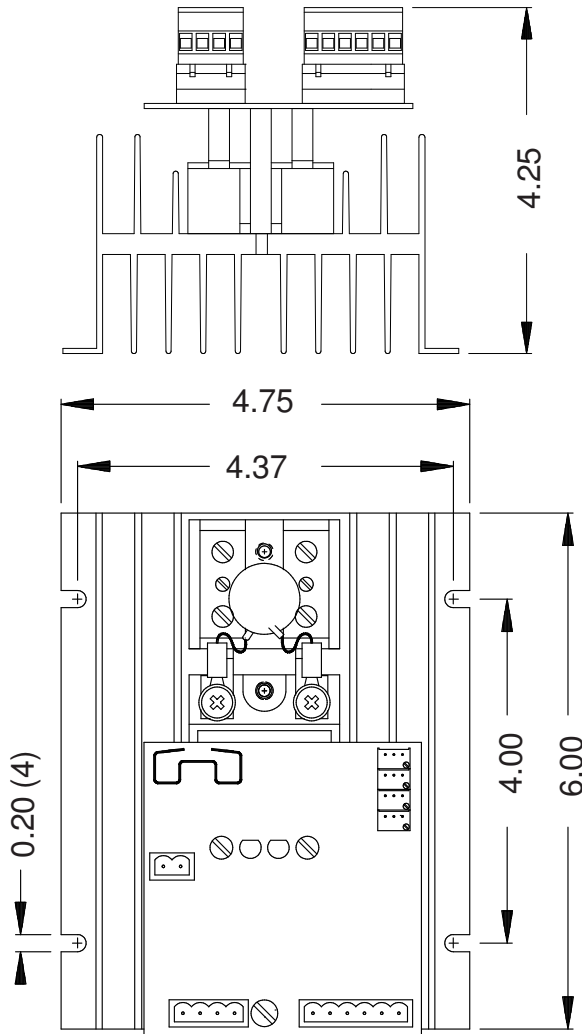
- Soft Start
- Missing Cycle Detection
- Dual Command Inputs
- Remote Command Input Selection
- Power Level Transfer
- Mode LED
- Command LED
- Isolated Command Signals



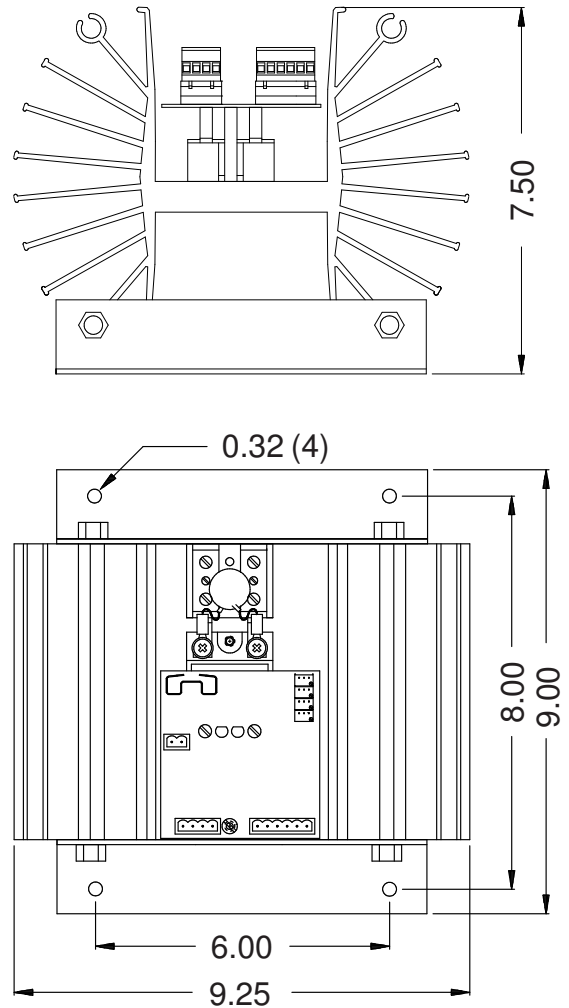
### Applications

- Silicon Carbide Heating Elements
- Loads that change resistance with time.
- Loads that change resistance with temperature.

# Dimensions



10, 20, 30, & 40 Amps



70 Amps

# Ordering Information

Basic Model No. \_\_\_\_\_ **2022 - xx-xx - Rx/x -Ix/x**

Line Voltage; 12 = 120Vac, 24 = 240Vac, 48 = 480Vac or 57 = 575Vac \_\_\_\_\_

Load Current: 10, 20, 30, 40 or 70 Amps. \_\_\_\_\_

Run Command Signal: 0/5Vdc, Potentiometer or 4/20mA. \_\_\_\_\_

Idle Command Signal: 0/5Vdc, Potentiometer or 4/20mA. \_\_\_\_\_

# Complementary Products

Control Concepts, Inc., with a full range of standard and custom SCR power controllers and signal conditioners, has the expertise to meet your specific industrial power control needs. All of Control Concepts products are covered by a limited two year warranty.

Call us for answers, and delivery schedules, that work.



800.765.2799 | [www.ccpower.com](http://www.ccpower.com)

Phone: 952.474.6200 Fax: 952.474.6070

7870 Park Drive, Chanhassen, MN 55317, U.S.A.