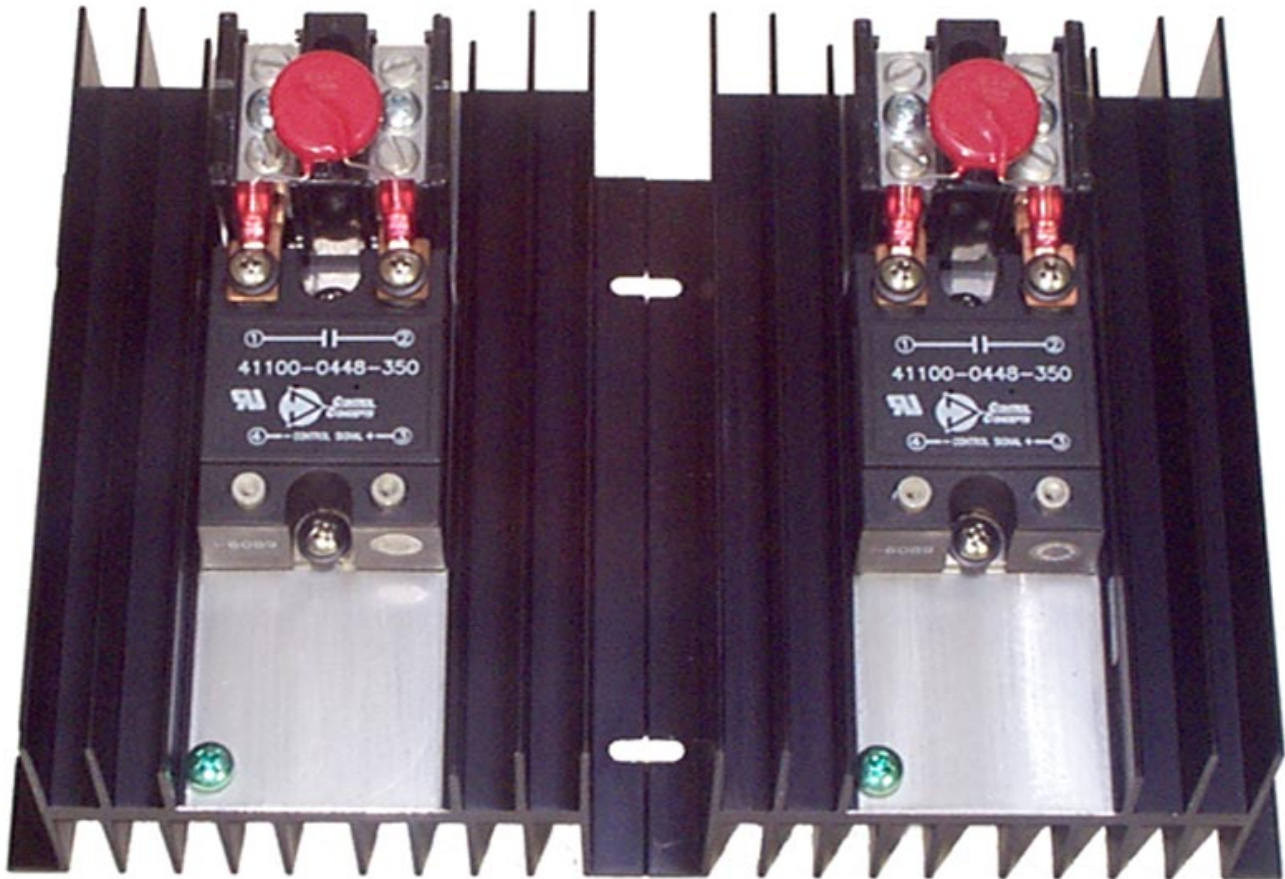


**Two-leg, Three-Phase,  
Zero-Cross, SCR Controller**



## Description

The models 3024 and 3024A are two-leg, three phase, zero-cross power controllers. Both models control the average AC voltage to two legs of a three phase load proportional to the command signal.

The model 3024 controller responds to a DC command signal between 3.5 and 32 Volts.

The model 3024A controller responds to an AC command signal between 90 and 280 Volts.

The command signal is electrically isolated from the line and load voltage.

## Applications

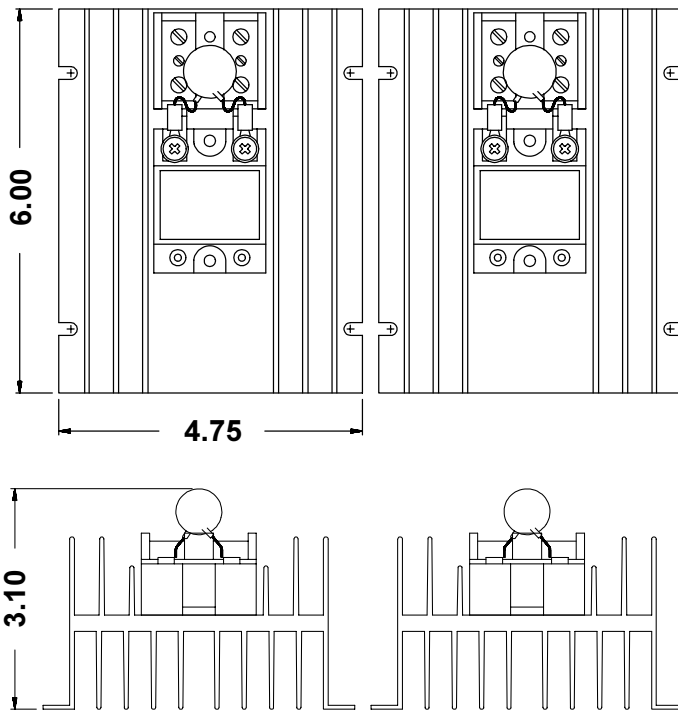
- Transient Free Switching
- Solid State Contactor Replacement
- On/Off Control

## Approvals

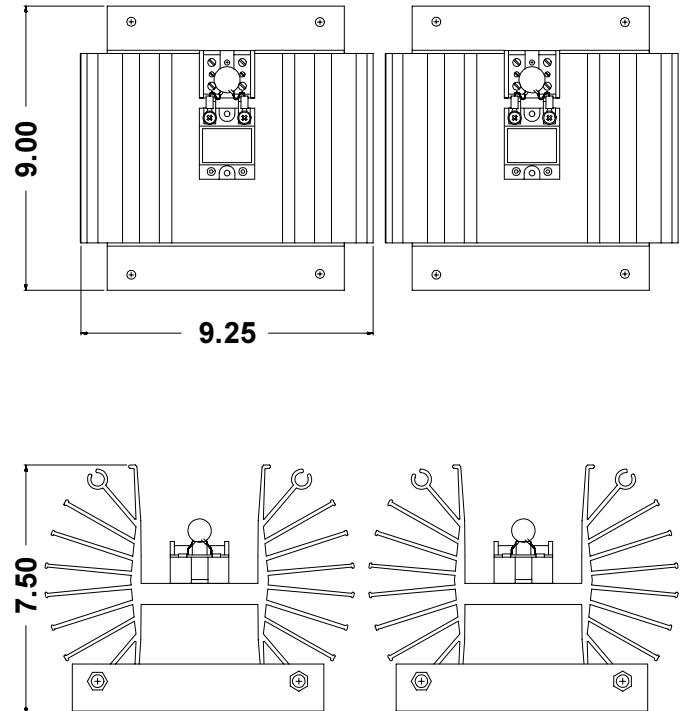


## Dimensions:

### 10 to 40 Amps

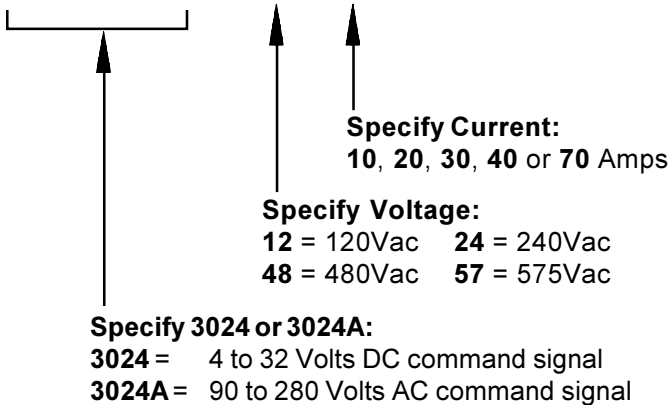


### 70 Amps

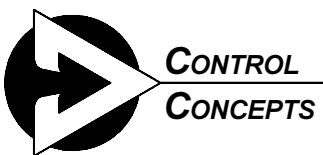


## Ordering Information

### 3024(A) - (xx-xx)



## Manufactured by:



7870 Park Drive  
Chanhassen, MN 55317  
(952) 474 - 6200  
FAX (952) 474 - 6070  
(800) 765 - 2799  
[www.ccipower.com](http://www.ccipower.com)

## Please Note

The model **3024** (or 3024A) controls two of the three legs of a Wye or Delta load; the third leg is connected directly to the third phase line.

Control Concepts' model **3324** (or 3324A) controls all three legs of a Wye or Delta load.

If one of the SCR's in a three leg controller would short, control of power to the load would be maintained.

If one of the SCR's in a two-leg controller would short, full power would be applied to one leg, and a minimum of half power would be applied to each of the other two legs.

Controlling all three legs would be necessary if the load is a four-wire Wye with the junction wire grounded.

## Complementary Products:

Control Concepts, Inc., offers a wide variety of phase angle and zero cross power controllers designed for your toughest process control applications. Single and Three Phase controllers with current ratings from 10 to 1000 amps in either single or three phase. In addition, Control Concepts, Inc. offers custom SCR power controllers to meet your unique requirements.

Control Concepts, Inc. has the expertise and the products to meet your specific industrial control needs. Call us today for answers that work. **(800)-765-2799**