

Description

It is recommended that fuses be installed in the line to protect the SCR's and loads. See drawings below.

Control Concepts, Inc. stocks a large variety of fuses and fuse blocks for your convenience. This brochure describes the fuse kits available from our shelves.

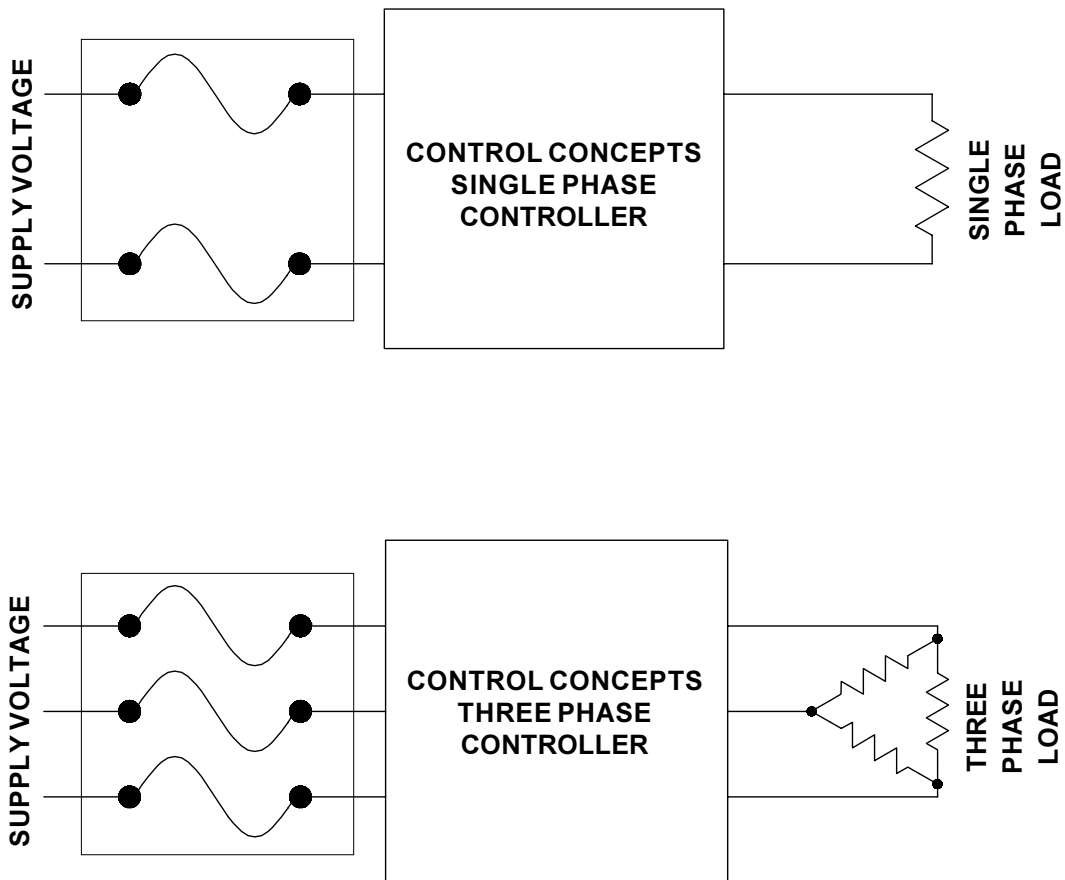
Two types of fuses are usually used to protect SCR Controllers and loads: 'SEMICONDUCTOR' and CLASS 'T'.

CLASS 'T' fuses are very fast acting fuses and are well suited for heating and lighting circuits.

'SEMICONDUCTOR' fuses are faster acting than CLASS 'T', provide slightly better protection for the SCR's, but are more expensive and are generally larger.

SEMICONDUCTOR fuses are not rated for branch protection, therefore another fuse or a circuit breaker must be installed ahead of the circuit using SEMI-CONDUCTOR fuses.

Fuse current rating should be approximately 125% of the continuous current load, but should not exceed the current capacity of the conductors.



Connections for single and three phase loads using fuses in each leg of supply.

300 Volt Class 'T' Fuse Kits

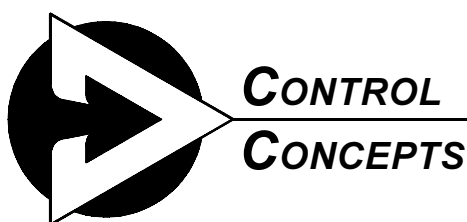
CCI Part No.	Description
FK/31T70	1 POLE, ONE 70 AMP FUSE
FK/31T80	1 POLE, ONE 80 AMP FUSE
FK/31T90	1 POLE, ONE 90 AMP FUSE
FK31T100	1 POLE, ONE 100 AMP FUSE
FK/32T10	2 POLE, TWO 10 AMP FUSES
FK/32T15	2 POLE, TWO 15 AMP FUSES
FK/32T20	2 POLE, TWO 20 AMP FUSES
FK/32T25	2 POLE, TWO 25 AMP FUSES
FK/32T30	2 POLE, TWO 30 AMP FUSES
FK/32T35	2 POLE, TWO 35 AMP FUSES
FK/32T40	2 POLE, TWO 40 AMP FUSES
FK/32T45	2 POLE, TWO 45 AMP FUSES
FK/32T50	2 POLE, TWO 50 AMP FUSES
FK/32T60	2 POLE, TWO 60 AMP FUSES
FK/32T70	2 POLE, TWO 70 AMP FUSES
FK/32T80	2 POLE, TWO 80 AMP FUSES
FK/32T90	2 POLE, TWO 90 AMP FUSES
FK/32T100	2 POLE, TWO 100 AMP FUSES
FK/33T10	3 POLE, THREE 10 AMP FUSES
FK/33T15	3 POLE, THREE 15 AMP FUSES
FK/33T20	3 POLE, THREE 20 AMP FUSES
FK/33T25	3 POLE, THREE 25 AMP FUSES
FK/33T30	3 POLE, THREE 30 AMP FUSES
FK/33T35	3 POLE, THREE 35 AMP FUSES
FK/33T40	3 POLE, THREE 40 AMP FUSES
FK/33T45	3 POLE, THREE 45 AMP FUSES
FK/33T50	3 POLE, THREE 50 AMP FUSES
FK/33T60	3 POLE, THREE 60 AMP FUSES
FK/33T70	3 POLE, THREE 70 AMP FUSES
FK/33T90	3 POLE, THREE 90 AMP FUSES
FK/33T100	3 POLE, THREE 100 AMP FUSES

500 Volt, Semiconductor fuse kits

CCI Part No.	Description
FK/51S150M	1 POLE, w/150 AMP FWH FUSE
FK/51S250M	1 POLE, w/250 AMP FWH FUSE
FK/51S300M	1 POLE, w/300 AMP FWH FUSE

Order by CCI part number. Each kit contains fuseholder and fuses as described.

Order From: _____



7870 Park Drive
Chanhassen, MN 55317
Made in U.S.A.

(952) 474-6200
1-800-765-2799
FAX (952) 474-6070
www.cci-power.com

600 Volt Class 'T' Fuse Kits

CCI Part No.	Description
FK/61T10	1 POLE, one 10 AMP FUSE
FK/61T15	1 POLE, one 15 AMP FUSE
FK/61T20	1 POLE, one 20 AMP FUSE
FK/61T25	1 POLE, one 25 AMP FUSE
FK/61T30	1 POLE, one 30 AMP FUSE
FK/61T35	1 POLE, one 35 AMP FUSE
FK/61T40	1 POLE, one 40 AMP FUSE
FK/61T45	1 POLE, one 45 AMP FUSE
FK/61T50	1 POLE, one 50 AMP FUSE
FK/61T60	1 POLE, one 60 AMP FUSE
FK/61T70	1 POLE, one 70 AMP FUSE
FK/61T80	1 POLE, one 80 AMP FUSE
FK/61T90	1 POLE, one 90 AMP FUSE
FK/61T100	1 POLE, one 100 AMP FUSE
FK/61T110M	1 POLE, one 110 AMP FUSE
FK/61T125M	1 POLE, one 125 AMP FUSE
FK/61T150M	1 POLE, one 150 AMP FUSE
FK/61T175M	1 POLE, one 175 AMP FUSE
FK/61T200M	1 POLE, one 200 AMP FUSE
FK/61T225M	1 POLE, one 225 AMP FUSE
FK/61T250M	1 POLE, one 250 AMP FUSE
FK/61T300M	1 POLE, one 300 AMP FUSE
FK/61T350M	1 POLE, one 350 AMP FUSE
FK/61T450M	1 POLE, one 450 AMP FUSE
FK/61T600M	1 POLE, one 600 AMP FUSE

FUSEHOLDERS ABOVE 100 AMPS ARE MODULAR

FK/62T10	2 POLE, two 10 AMP FUSES
FK/62T15	2 POLE, two 15 AMP FUSES
FK/62T20	2 POLE, two 20 AMP FUSES
FK/62T25	2 POLE, two 25 AMP FUSES
FK/62T30	2 POLE, two 30 AMP FUSES
FK/62T35	2 POLE, two 35 AMP FUSES
FK/62T40	2 POLE, two 40 AMP FUSES
FK/62T45	2 POLE, two 45 AMP FUSES
FK/62T50	2 POLE, two 50 AMP FUSES
FK/62T60	2 POLE, two 60 AMP FUSES
FK/62T70	2 POLE, two 70 AMP FUSES
FK/62T80	2 POLE, two 80 AMP FUSES
FK/62T90	2 POLE, two 90 AMP FUSES
FK/62T100	2 POLE, two 100 AMP FUSES

FK/63T10	3 POLE, three 10 AMP FUSES
FK/63T15	3 POLE, three 15 AMP FUSES
FK/63T20	3 POLE, three 20 AMP FUSES
FK/63T25	3 POLE, three 25 AMP FUSES
FK/63T30	3 POLE, three 30 AMP FUSES
FK/63T35	3 POLE, three 35 AMP FUSES
FK/63T40	3 POLE, three 40 AMP FUSES
FK/63T45	3 POLE, three 45 AMP FUSES
FK/63T50	3 POLE, three 50 AMP FUSES
FK/63T60	3 POLE, three 60 AMP FUSES
FK/63T70	3 POLE, three 70 AMP FUSES
FK/63T90	3 POLE, three 90 AMP FUSES
FK/63T100	3 POLE, three 100 AMP FUSES